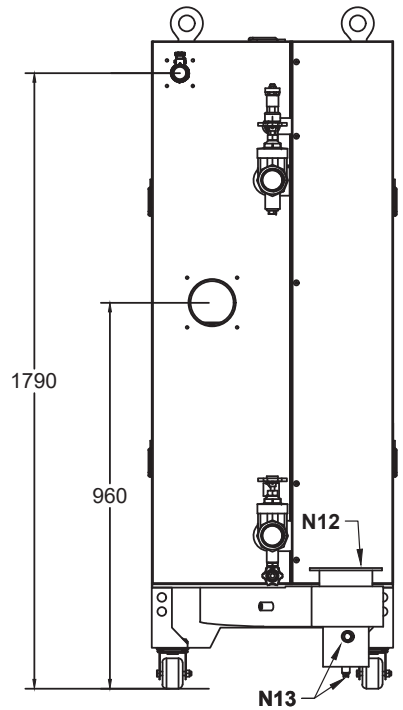
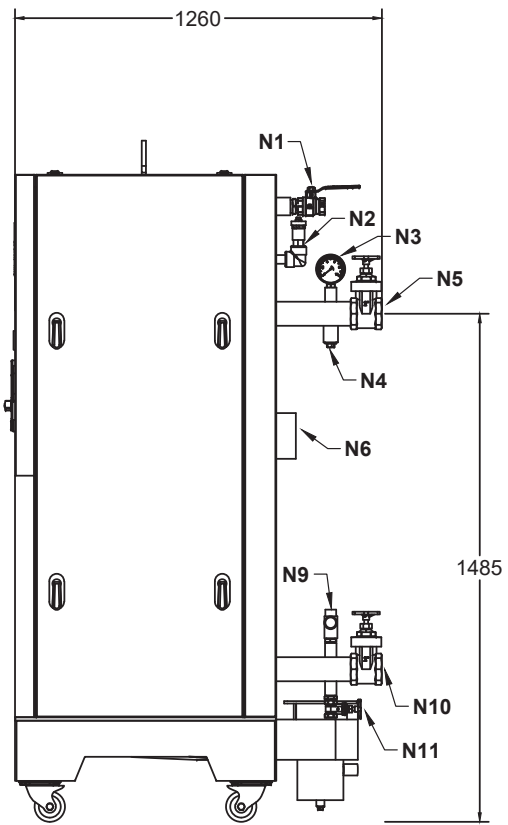
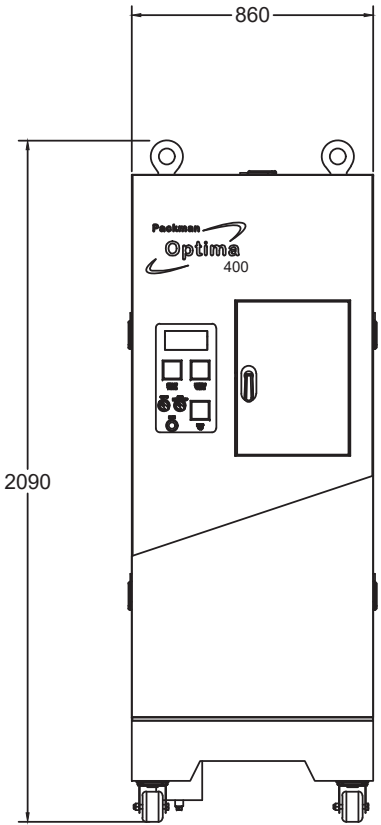


1 2 3 4 5 6 7 8 9 10

11 12

A  
B  
C  
D  
E  
F  
G  
H  
I  
J



TECHNICAL DATA		
DESIGN		
CAPACITY (kcal/hr)	344,000	
WORKING PRESSURE (bar)	10	
CORROSION ALLOWANCE	0	
MATERIAL		
FURNACE	316 L Stainless Steel	
TUBE SHEETS	316 L Stainless Steel	
FIRE TUBES	316 L Stainless Steel	
INSPECTION		
PENETRATION TEST	YES	
HYDROSTATIC TEST	YES	
CONNECTIONS SIZE		
GAS VALVE	N 1	1 1/2"
AIR VENT	N 2	1/2"
MANOMETER	N 3	1/2"
SPARE	N 4	1"
OUTLET	N 5	3"
AIR INTAKE	N 6	8"
RELIEF VALVE	N 9	1/2"
INLET	N 10	3"
DRAIN	N 11	1/2"
STACK I.D	N 12	8"
CONDENSATE DRAIN	N 13	1/2"

**GENERAL NOTE**

- ALL DIMENSIONS & ELEVATIONS ARE IN mm.
- THE MAP CONTAINS THE CONSTRUCTION TOLERANCES
- THE MAP PROVIDED IS NOT SCALED. SCALED MAP IS PROVIDED UPON REQUEST.

TITLE:  
CONDENSING BOILER (OPTIMA) DIMENSION DRAWING

DRAFTED	CHECKED	APPROVED	CONFIRMED	REV.	SCALE
				R02	NTS

VENDOR:



**PACKMAN**  
Industrial Group

