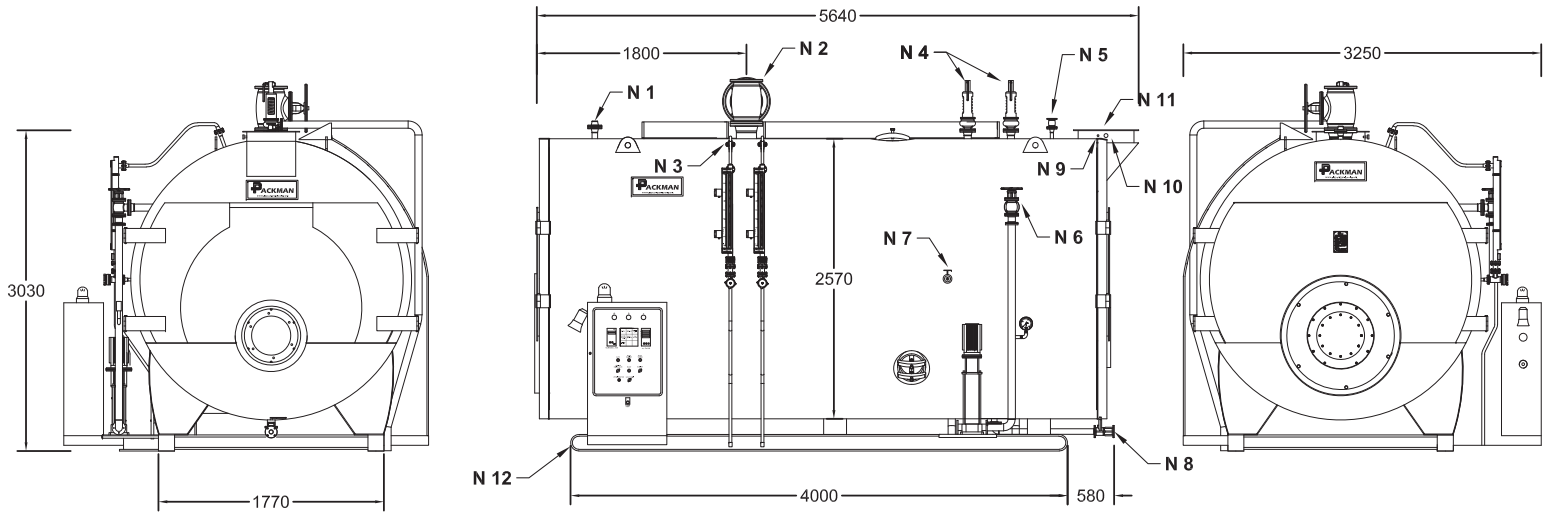


1 2 3 4 5 6 7 8 9 10

A  
B  
C  
D  
E  
F  
G  
H  
I  
J



11 12

**TECHNICAL DATA**

**DESIGN**

DESIGN STANDARD	BS/EN12953
CAPACITY (kg/hr)	8,000
WORKING PRESSURE (bar)	10
CORROSION ALLOWANCE	0.75 (mm)

**MATERIAL**

SHELL & FURNACE	17Mn-4 (DIN 17155)
TUBE SHEETS	17Mn-4 (DIN 17155)
FIRE TUBES	St 35.8 (DIN 17175)
FLANGES	FORGED STEEL ASME B,16.5-150

**INSPECTION**

PENETRATION TEST	YES
ULTRASONIC TEST	YES
HYDROSTATIC TEST	YES

**CONNECTIONS SIZE**

INSTR. MANIFOLD	N 1	2"
STEAM OUTLET	N 2	6"
LEVEL CONTROLLER	N 3	1"
SAFETY VALVE	N 4	2"
VENT	N 5	1"
FEED WATER INLET	N 6	2½"
SAMPLING	N 7	½"
DRAIN	N 8	2"
TEMPERATURE SENSOR	N 9	½"
THERMO METER	N 10	½"
STACK	N 11	24"
I-BEAM SIZE (IPN)	N 12	160 II

**GENERAL NOTE**

1- ALL DIMENSIONS & ELEVATIONS ARE IN mm.  
 2-THE MAP CONTAINS THE CONSTRUCTION TOLERANCES  
 3-THE MAP PROVIDED IS NOT SCALED. SCALED MAP IS PROVIDED UPON REQUEST.

TITLE:  
 THREE PASS STEAM BOILER DIMENSION DRAWING

DRAFTED	CHECKED	APPROVED	CONFIRMED	REV.	SCALE
				R01	NTS

VENDOR:

**PACKMAN**  
 Industrial Group